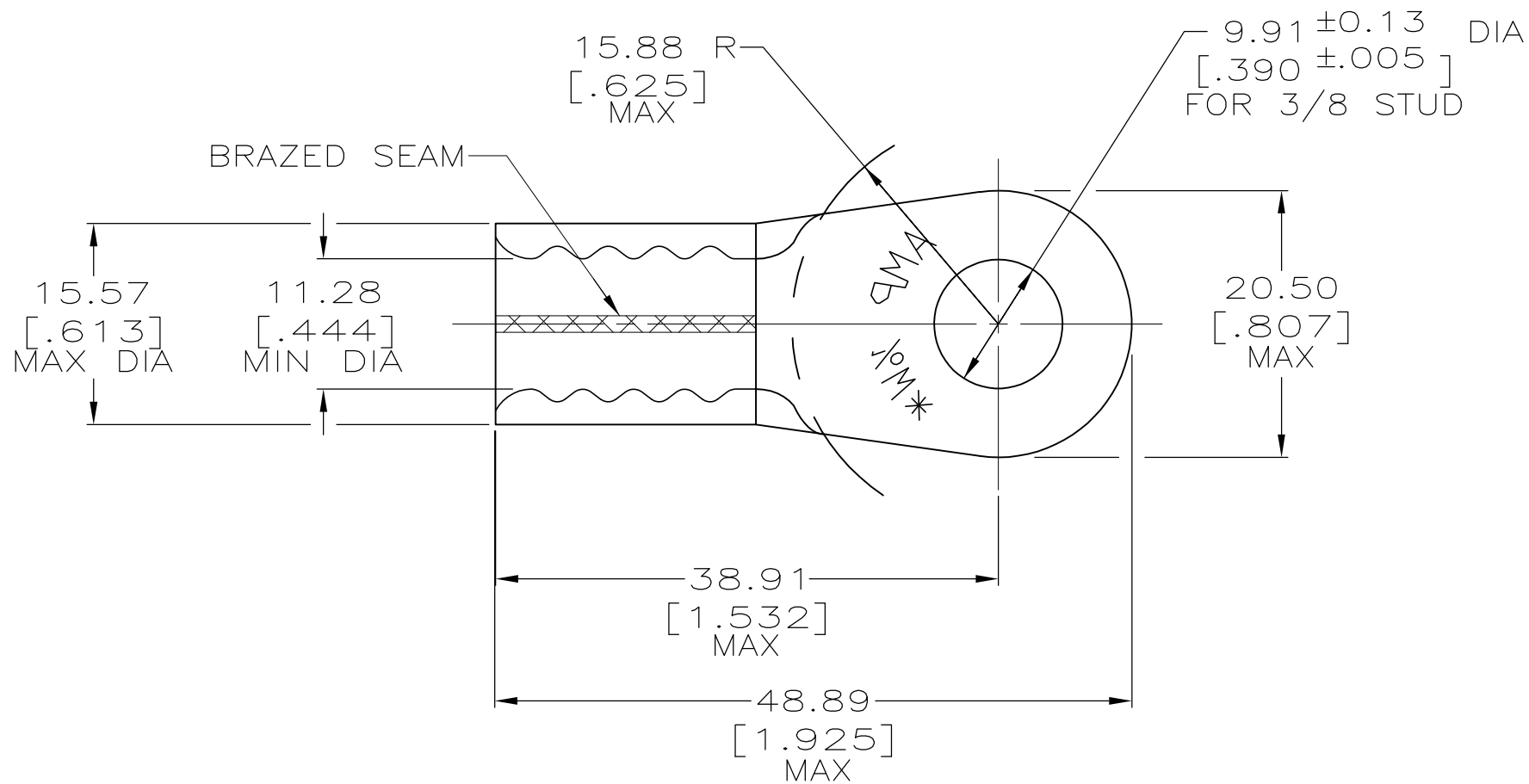


THIS DRAWING IS UNPUBLISHED. RELEASED FOR PUBLICATION  
 © COPYRIGHT BY TYCO ELECTRONICS CORPORATION. ALL RIGHTS RESERVED.

LOC	DIST	REVISIONS			
P	LTR	DESCRIPTION	DATE	DWN	APVD
G	14	G	REVISED PER ECR 08-010677	25APR08	JR RL

- △ 1 TIN PL 0.00254[.000100] MIN THK PER MIL-T-10727
- △ 2 PRELIMINARY - NOT FOR PRODUCTION



SILVER PLATE	COPPER ASTM B-152 1.78 ±0.08 [.070 ±.003] ANNEALED	△ 2 2-321868-5
CLEANED		2-321868-2
△ 1		321868
FINISH	MATERIAL	

THIS DRAWING IS A CONTROLLED DOCUMENT.		DWN DK SCHRUM 8/30/91	Tyco Electronics Corporation Harrisburg, PA 17105-3608	
DIMENSIONS: MM [ INCHES ]		CHK RD HEIM 9/30/91	NAME	
TOLERANCES UNLESS OTHERWISE SPECIFIED:		APVD AJ KAUFMAN 9/30/91	PRODUCT SPEC	
0 PLC ± - 1 PLC ± - 2 PLC ± 0.20[.008] 3 PLC ± - 4 PLC ± - ANGLES ± -		APPLICATION SPEC	TERMINAL, RING TONGUE, SOLISTRAND WIRE SIZE 50.0mm2 [1/0] AWG	
MATERIAL SEE TABLE	FINISH SEE TABLE	WEIGHT -	SIZE A3 00779	CAGE CODE G-321868
CUSTOMER DRAWING			SCALE 2:1	SHEET 1 OF 1
			RESTRICTED TO -	REV G